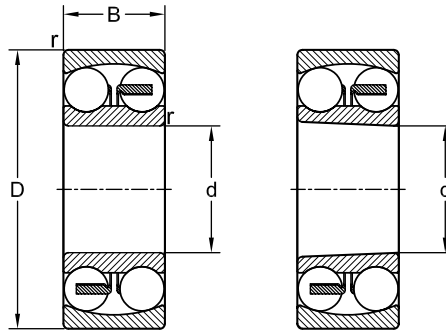


# Ball Bearings

Self Aligning  
Metric Series

**12, 13, 14, 22, 23**



Cylindrical bore

Tapered bore

Dimensions				Load Rating		AEC Bearing	K
mm				kN			
d	D	B	r	Dynamic (C)	Static (C <sub>0</sub> )		
15	35	11	0.6	7.4	1.8	1202	•
	35	14	0.6	8.7	2.0	2202	•
	42	13	1.0	10.8	2.6	1302	•
	42	17	1.0	11.9	2.9	2302	•
17	40	12	0.6	8.8	2.2	1203	•
	40	16	0.6	10.6	2.6	2203	•
	47	14	1.0	12.7	3.4	1303	•
20		19	1.0	14.6	3.6	2303	•
	47	14	1.0	12.7	3.4	1204	•
	47	18	1.0	16.8	4.2	2204	•
	52	15	1.1	14.3	4.0	1304	•
25	52	21	1.1	18.2	4.8	2304	•
	52	15	1.0	14.3	4.0	1205	•
	52	18	1.0	16.8	4.4	2205	•
	62	17	1.1	19.0	5.4	1305	•
30	62	24	1.1	24.2	6.6	2305	•
	62	16	1.0	15.6	4.7	1206	•
	62	20	1.0	23.8	6.7	2206	•
	72	19	1.1	22.5	6.8	1306	•
35	72	27	1.1	31.2	8.8	2306	•
	90	28	1.5	59.2	17.0	1406	•
	72	17	1.1	19.0	6.0	1207	•
	72	23	1.1	30.7	8.8	2207	•
	80	21	1.5	26.5	8.5	1307	•
40	80	31	1.5	39.7	11.2	2307	•
		30	1.5	62.4	18.0	1407	•
	80	18	1.1	19.9	7.0	1208	•
	80	23	1.1	31.9	10.0	2208	•
45	90	23	1.5	33.8	11.2	1308	•
	90	33	1.5	54.0	16.0	2308	•
		33	2.0	76.1	23.6	1408	•
	85	19	1.1	22.9	7.8	1209	•

Dimensions				Load Rating		AEC Bearing	K	
mm				kN				
d	D	B	r	Dynamic (C)	Static (C <sub>0</sub> )			
50	85	19	1.1	32.5	10.6	2209	•	
	100	23	1.5	39.0	13.4	1309	•	
	100	36	1.5	63.7	19.3	2309	•	
			35	2.0	88.4	27.5	1409	•
	90	20	1.1	26.5	9.2	1210	•	
	90	23	1.1	33.8	11.2	2210	•	
	110	27	2.0	43.6	14.0	1310	•	
	110	40	2.0	63.7	20.0	2310	•	
55		37	2.1	101.0	32.0	1410	•	
	100	21	1.5	27.6	10.6	1211	•	
	100	25	1.5	39.0	13.4	2211	•	
	120	29	2.0	50.7	18.0	1311	•	
	120	43	2.0	76.1	24.0	2311	•	
60		40	2.1	111.0	36.5	1411	•	
	110	22	1.5	31.2	12.2	1212	•	
	110	28	1.5	48.8	17.0	2212	•	
	130	31	2.1	58.5	22.0	1312	•	
	130	46	2.1	87.1	28.5	2312	•	
65		42	2.1	125.0	41.5	1412	•	
	120	23	1.5	35.1	14.0	1213	•	
	120	31	1.5	57.2	20.0	2213	•	
65	140	33	2.1	65.0	25.5	1313	•	
	140	48	2.1	95.6	32.5	2313	•	
70	125	24	1.5	34.5	13.7	1214	•	
	125	31	1.5	44.2	17.0	2214	•	
	150	35	2.1	74.1	27.5	1314	•	
75	150	51	2.1	111.0	37.5	2314	•	
	130	25	1.5	39.0	15.6	1215	•	
	130	31	1.5	44.2	18.0	2215	•	
	160	37	2.1	79.3	30.0	1315	•	
	160	55	2.1	124.0	43.0	2315	•	
80	140	26	2.0	39.7	17.0	1216	•	
	140	33	2.0	65.0	25.5	2216	•	
	170	39	2.1	88.4	33.5	1316	•	
	170	58	2.1	135.0	49.0	2316	•	
85	150	28	2.0	48.8	20.8	1217	•	
	150	36	2.0	58.5	23.6	2217	•	
	180	41	3.0	97.5	38.0	1317	•	
90	180	60	3.0	140.0	51.0	2317	•	
	160	30	2.0	57.2	23.6	1218	•	
	160	40	2.0	70.2	28.5	2218	•	
	190	43	3.0	117.0	44.0	1318	•	
	190	64	3.0	153.0	57.0	2318	•	
95	170	32	2.1	63.7	27.0	1219	•	
	170	43	2.1	83.2	34.5	2219	•	
100	200	45	3.0	133.0	51.0	1319	•	
	200	67	3.0	165.0	64.0	2319	•	
	180	34	2.1	68.9	30.0	1220	•	

Dimensions				Load Rating		AEC Bearing	K
mm				kN			
d	D	B	r	Dynamic (C)	Static (C <sub>0</sub> )		
	180	46	2.1	97.5	40.5	<b>2220</b>	•
	215	47	3.0	143.0	57.0	<b>1320</b>	•
	215	73	3.0	190.0	80.0	<b>2320</b>	•
<b>105</b>	190	36	2.1	74.1	32.5	<b>1221</b>	•
<b>110</b>	190	50	2.1	108.0	45.0	<b>2220</b>	•
	200	38	2.1	88.4	39.0	<b>1222</b>	•
	200	53	2.1	124.0	52.0	<b>2222</b>	•
	240	50	3.0	163.0	72.0	<b>1322</b>	•
<b>120</b>	240	80	3.0	216.0	95.0	<b>2322</b>	•
	215	42	2.1	119.0	53.0	<b>1224</b>	•
<b>130</b>	230	46	3.0	127.0	58.5	<b>1226</b>	•