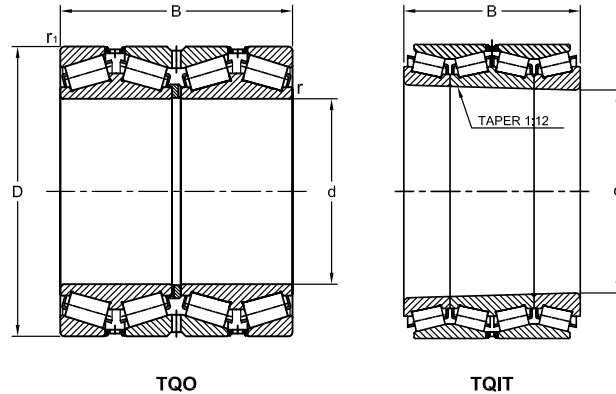


Taper Roller Bearings

Four Row
Metric & Inch Series

HM, LM, M



Dimensions				Load Rating			AEC Bearing	Design
mm				kN				
d	D	B	r	r ₁	Dynamic (C)	Static (C ₀)		
95.25	137	122.24	0.8	2.3	452.6	553.5	LM 119348 D/11/11 D	TQO
127	183	158.75	1.5	3.3	746.7	1014.1	48290 DW/220/220 D	TQO
177	248	192.09	1.5	3.3	1003.8	2773.9	67790 D/20/21 D	TQO
181	284	239.72	3.3	3.3	1473.2	3662.7	M 240631 T/611 TD/611 D	TQIT
206	282	190.50	0.8	3.3	1390.2	2160.9	67986 DW/20/21 D	TQO
220	340	305.00	3.0	3.0	2522.2	5760.8	2077144	TQO
221	314	239.71	1.5	3.3	2057.7	2856.9	M 244249 D/210/210 D	TQO
244	327	193.68	1.5	3.3	1685.7	2429.7	LM 247748 D/710/710 D	TQO
260.35	422	317.50	6.4	3.3	3661.3	5161.8	HMC 252349 D/310/310 D	TQO
267	356	228.60	1.5	3.3	1835.2	5324.4	LM 451349 DW/10/10 D	TQO
280	460	324.00	5.0	5.0	2800.0	3840.0	1077756	TQO
286	381	244.48	1.5	3.3	2614.8	4007.2	LM 654648 DW/610/610 D	TQO
289	406	298.45	3.3	3.3	3684.6	5362.2	M 255449 D/410/410 D	TQO
300	460	390.00	4.0	4.0	3240.0	5070.0	2077160	TQO
318	448	327.03	3.3	3.3	4960.6	7280.0	HM 259049 D/10/10 D	TQO
343	457	252.50	1.5	3.3	2388.0	6780.0	LM 761649 DW/610/610 D	TQO
348	470	292.10	3.3	3.3	3989.9	5676.4	HM 262449 DW/410/410 D	TQO
368	524	382.59	3.3	6.4	6949.1	10245.7	M 265049 DW/010/010 D	TQO
384	546	400.05	3.3	6.4	6981.2	9950.2	HM 266449 DW/410/410 D	TQO
406	546	288.92	1.5	6.4	3576.8	10589.9	LM 767749 DW/10/10 D	TQO
450	595	368.00	3.0	6.0	7209.0	10603.5	M 270449 DW/410/410 D	TQO
480	700	420.00	6.0	2.5	5468.0	15466.6	577796	TQIT
500	720	420.00	8.0	8.0	5660.0	9050.0	771/500	TQO
630	920	515.00	8.0	8.0	8790.0	14600.0	771/630	TQO